

Job Name	Location		
Purchaser	Engineer		
Submitted to	Reference	Approval	Construction
Unit Designation	Schedule #		

**Specifications**

Performance	Nominal Capacity	Cooling (Btu/h)	36,000
		Heating (Btu/h)	36,000
	Capacity Range	Cooling (Btu/h)	9,000 - 38,000
		Heating (Btu/h)	9,000 - 45,000
	SEER / EER		18.0 / 10.8
	HSPF		9.0
Condensate (pints/hour)		8.45	
Power	Voltage (øV/Hz)		1 / 208-230 / 60
	Working Voltage Range (VAC)		176 - 254 (max. 3% deviation from each)
	Rated Current	Cooling (A)	3.6 / 14.2 / 18.0
		Heating (A)	3.3 / 14.5 / 21
	Max. Breaker (A)		30
	Min. Circuit Ampacity (A)		19.5
Dimensions	W X H X D (inches)	Indoor Unit	50 3/8 X 13 9/16 X 10
		Outdoor Unit	36 11/16 X 45 7/8 X 14 3/4
	Weight (lbs.)	Indoor Unit	40
		Outdoor Unit	209
	Condensate Connection		1 1/16" OD
Heat Exchanger	Indoor & Outdoor Unit	Type	Aluminum Fin - Copper Tube
		FPI	18
		Pipe Diameter	1/4 inch
	Indoor Unit	2 row / 18 step	
	Outdoor Unit	2 row / 52 step	
Sound Pressure Level	Indoor Unit (dB)	L/H	33 / 46
	Outdoor Unit (dB)	High	58
Operating Temperatures (°F)	Outdoor	Cooling	Standard: 14 ≤ T ≤ 115
		Heating	0 ≤ T ≤ 115 with wind baffle accessory
			5 ≤ T ≤ 75
	Indoor	Cooling	61 ≤ T ≤ 90
		Heating	T ≤ 80
Pipe Connections	Indoor & Outdoor	High side (flare)	1/4"
		Low side (flare)	5/8"
	Maximum / Minimum Line Set Length (ft.)		164 / 10
	Maximum Vertical Separation (ft.)		98
Refrigerant	Type		R410A
	Control Method		Electronic Expansion Valve
	Factory Charge (oz.)		88.1
	Charged for		25 ft.
	Additional Refrigerant		0.43 oz./ft. over 25 ft.
Compressor	Manufacturer		Samsung
	Type		DC, Inverter Driven, Rotary
	RLA (A)		13.8
	Operating Frequency (Hz)	Cooling (low/std./high)	15 / 55 / 63
		Heating (low/std./high)	15 / 50 / 69
Evaporator Fan	Type		BLDC motor with cross-flow fan (1)
	Air Volume (max. CFM)		883
	Consumption	W	58
	Operating Current (A)		0.22
Condenser Fan	Motor		BLDC motor with axial fan (2)
	Output	W	248
	FLA	Amps	1.04
Accessories	Condensate pump		ASP-MO-UNIV 110-250
	Wired Controller	Standard	AQN-WRS (includes sub-PCB and MWR-WH00 controller)
		Premium	AQN-WRP (includes sub-PCB and MWR-WE10 controller with scheduling)
	Interface module for central control		MIM-B13D
	Wall bracket (for outdoor unit)		CKN-250
	Line sets - insulated and flared, interconnect cables included		25' - ILS2509
			50' - ILS5009
	Wind Baffle	Front	WBMF-24/36
		Back	WBMB-9/12/18/36
Safety	Certifications		ETL & ETLc
	Devices	PCB fuses, indoor unit terminal block thermal fuse, current transformer, over-voltage protection, crankcase heating, temperature limit protection logic, compressor overload sensing	
Warranty	5 Years compressor, 3 Year Parts, 120 Day limited labor		



AQN36VFUAGM



AQX36VFUAGM

- Low ambient control built in
- Outdoor unit shall provide 208/230V power to indoor unit via 14 AWG X 3 interconnect power cable
- Electro-static, washable, HD (high density) main filter as standard

**Construction**

Indoor unit chassis shall be UL94 V0 with a galvanized steel mounting bracket

The outdoor unit shall be galvanized steel with a baked on powder coated finish for durability

**Heat Exchanger**

The heat exchanger shall be mechanically bonded fin to copper tube

**Refrigerant System**

The compressor shall be hermetically sealed, inverter controlled, Twin BLDC Rotary

Refrigerant flow shall be controlled by EEV (electronic expansion valve) at outdoor unit

**Indoor Fan**

The indoor fan shall be a single, antibacterial cross-flow type

Three fan speed settings and auto setting

**Controls**

Control signal shall be DDC type signal

Interconnect control wiring shall be 16 AWG X 2 shielded wire between outdoor and indoor units

Unit shall be operated via wireless controller (included)

Optional wired control available

Contact Quietside for details regarding central control applications, capabilities, and limitations

**Convenience**

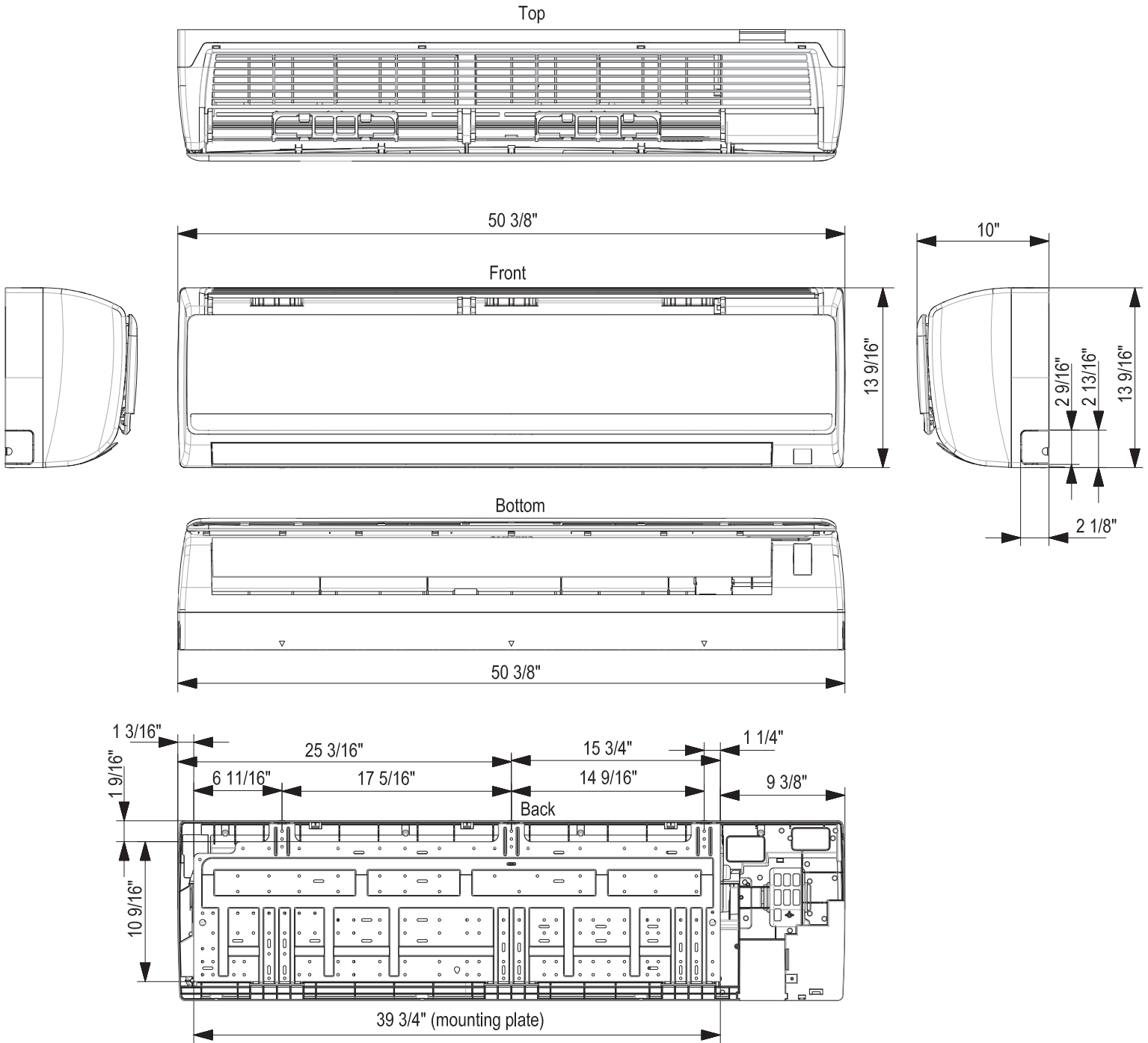
- Auto restart
- Turbo mode (during cooling operation only)
- Auto changeover
- 24 hour timer
- Good'sleep mode
- Quiet mode
- Dry mode

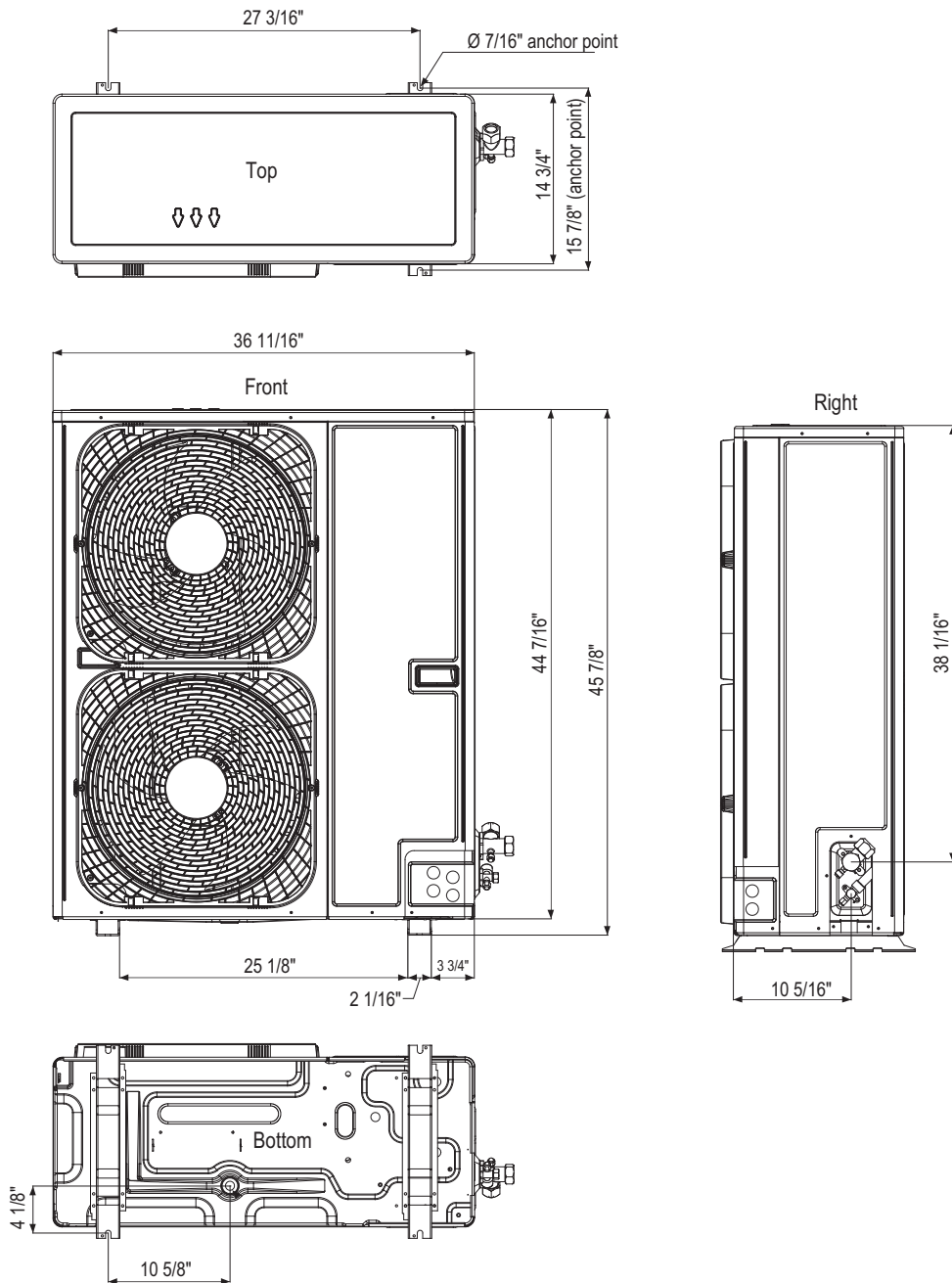
Nominal cooling capacities are based on: Indoor temperature: 80°F DB, 67°F WB. Outdoor temperature: 95°F DB, 75°F WB.

Nominal heating capacities are based on: Indoor temperature: 70°F DB, 60°F WB. Outdoor temperature: 47°F DB, 43°F WB.

Quietside maintains a policy of ongoing development, specifications are subject to change without notice. Refer to www.AHRIdirectory.org for current reference numbers.







For reference only. Always refer to installation manual for complete details.

